

GE

Energy Connections

Model 58

Current Transformer Window Diameter 1.25"

Application

With ammeters, wattmeters, and cross current compensation.

Frequency

50-400 Hz.

Insulation Level

600 Volt, 10 kV BIL full wave.

Flexible leads are UL 1015, 105 °C, CSA approved, #16 AWG, 24" long.

Non-standard length to be specified.

Terminals are brass studs No. 8-32 with one flatwasher, lockwasher and regular nut.

Approximate weight 1.3 lbs.



Model 58RL Shown



Model 58

Catalog Number	Current Ratio	Accuracy at 60 Hz	Burden VA at 60 Hz
58**–500	50:5	± 3%	1.5
58**–600	60:5	± 2%	2.5
58**–750	75:5	± 1.5%	2.5
58**–800	80:5	± 1%	2.5
58**–101	100:5	± 1.5%	5.0
58**–121	120:5	± 1%	5.0
58**–1250	125:5	± 1%	6.0
56**–151	150:5	± 1%	7.5

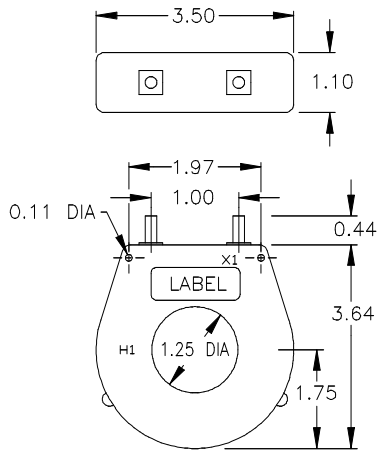
Catalog Number	Current Ratio	Accuracy at 60 Hz	Burden VA at 60 Hz
58**–201	200:5	± 1%	12.5
58**–251	250:5	± 1%	12.5
58**–301	300:5	± 1%	15.0
58**–401	400:5	± 1%	25.0
58**–501	500:5	± 1%	25.0
58**–601	600:5	± 1%	25.0
58**–751	750:5	± 1%	25.0
58**–801	800:5	± 1%	25.0

**Note: When ordering, prefix Cat No. with model designation required i.e. 58RL–101, 58RBL–251, etc.

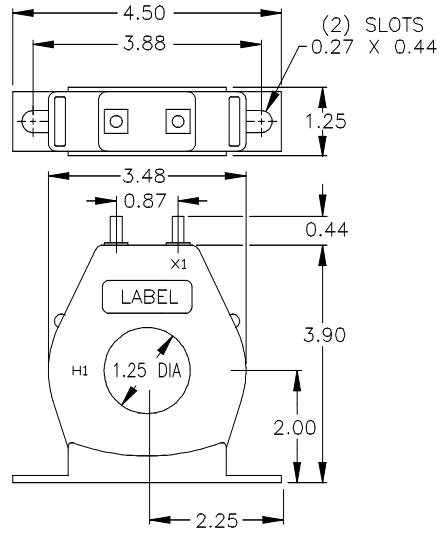


Model 58

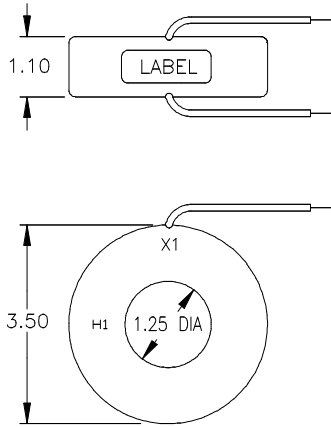
Model 58RT



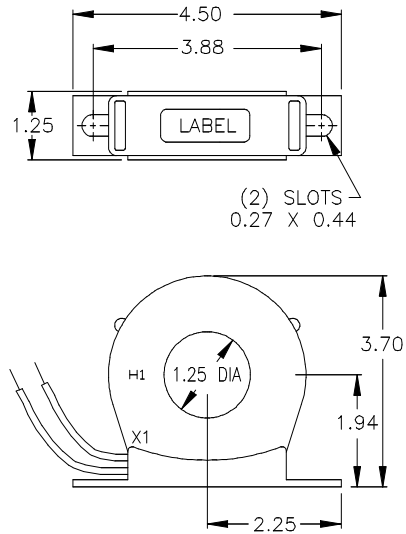
Model 58RBT



Model 58RL



Model 58RBL



Grid-AIS-L4-ITL_Model_58-1549-2017_05-EN. © Copyright 2017. General Electric Company and Instrument Transformers LLC reserve the right to change specifications of described products at any time without notice and without obligation to notify any person of such changes.

